

Standard Preparation 500 mm Work Table

ITEM # _____

MODEL # _____

NAME # _____

SIS # _____

AIA # _____

**133214 (TG500MBN)** Work table 500 mm

Short Form Specification

Item No. _____

The 50mm high worktop in 304 AISI stainless steel, 1mm in thickness, has upturned edges and incorporates a layer of sound deadening, waterproof and fireproof material. Square section legs 40x40mm on 1" height-adjustable feet in 304 AISI stainless steel.

Main Features

- Ideal for central positioning in the kitchen, either as island installation or back to back.

Construction

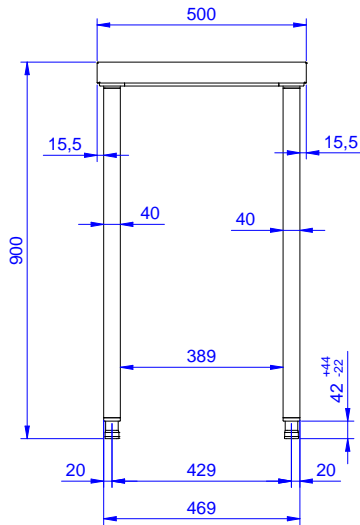
- 50 mm worktop in 304 AISI stainless steel, 10/10 in thickness with upturned edges and reinforced waterproof underpanel, incorporates a layer of sound deadening materials.
- 400 or 600 mm wide single drawer, chest of 4 drawers, lower shelf, three-sided underframe and set of castors as alternative to the feet, can be fitted as optional on all work tables.
- 40 mm-thick lower shelf (available as optional accessory on some models) slots easily into place at a height of 200 mm from the floor. Lower shelf is compulsory to install the chest of drawers.
- Square section legs and 40 mm height-adjustable feet in 304 AISI stainless steel.
- Table top slots into legs without using screws to facilitate installation.

Optional Accessories

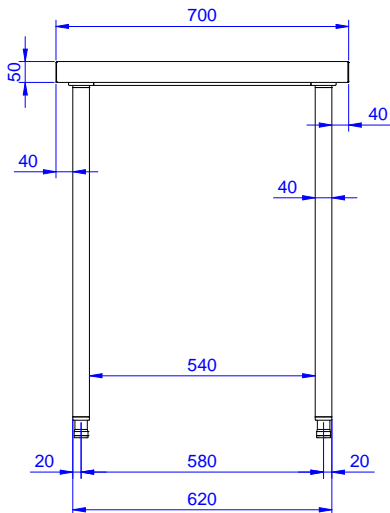
- Set of 4 wheels (2 with brake) PNC 855150 □
d. 100mm for tables and sinks
(total height on wheels= 993 mm)

APPROVAL: _____

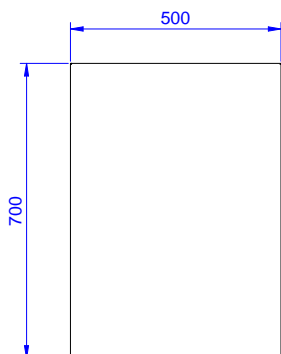
Front



Side



Top



Key Information:

External dimensions, Width:

133214 (TG500MBN) 500 mm

External dimensions, Depth:

700 mm

External dimensions, Height:

900 mm

Worktop thickness:

50 mm

Net weight:

18 kg